

Beyondtech PureOptics™ Optical Terminal Box

Order Code: BTOTB0611W

Also known as a rosette, is a device used in fiber optic networks to protect and house the terminations of fiber optic cables. OTB's are typically installed indoors, close to end users, and serve as the connection point between the main fiber optic network and individual devices.



FEATURES AND BENEFITS

- Provides a connection point for the main fiber optic cable coming from the service provider to branch out individual fiber optic cables going to different rooms or devices.
- Equipped with adapter ports, usually SC or LC connectors, to facilitate easy connection and disconnection of fiber optic cables.
- Designed to be compact and aesthetically pleasing for indoor placement. May be wall-mounted or placed on a tabletop depending on the model.
- Designed for simple installation by ISP or qualified technicians. Design minimizes clutter and allows for efficient use of space within a home or business.



SPECIFICATIONS

Applications:

Interior of Homes and Businesses, Office Buildings and Campuses, Indoor use recommended.

IN/OUT Ports:

1 / 1

Inlet/Outlet Caliber:

Drop - 3,0 mm

Max. Splice Capacity:

MAX: 07

Dimensions (H*W*D):

86 mm X 91 mm X 23 mm

Operating Temperature:

- 40°C + 65°C

Package Contents:

Installation kit

A	B	C	D	E	F	G
BTOTB	01	11	201	00	00	W

Example: BTOTB0112010000W = Beyondtech | OTB | Model 01 | 1 X Standard | 2 X SC/APC - SC/APC - Simplex | None | None |

<p>A</p> <p>Beyondtech</p>	<p>B</p> <p>Model Type:</p> <p>01 / 02 / 03 / 04 / 05 / 06 / 07 / 08 / 09</p>	<p>C</p> <p>Splice Tray:</p> <p>0 None 1 Standard</p>
<p>D</p> <p>Adaptador Type:</p> <p>0 None 01 SC/APC - SC/APC - Simplex 02 SC/UPC - SC/UPC - Simplex 03 SC/PC - SC/PC - Simplex 04 LC/APC - LC/APC - Duplex 05 LC/UPC - LC/UPC - Duplex 06 LC/APC - LC/APC - Simplex 07 LC/UPC - LC/UPC - Simplex 08 LC/PC - LC/PC - Duplex 09 LC/PC - LC/PC - Simplex</p>	<p>E</p> <p>Splitter:</p> <p>0 None A 1:2 B 1:4 C 1:6 D 1:8 E 1:9 F 1:12 G 1:16 H 1:32 I 1:64</p>	<p>F</p> <p>Pigtails :</p> <p>0 None 01 OS2 0.5M (Yellow) 02 OS2 1M (Yellow) 03 OS2 1.5M (Yellow) 04 OS2 2M (Yellow) 05 OS2 0.5M (Color Coded) 06 OS2 1M (Color Coded) 07 OS2 1.5M (Color Coded) 08 OS2 2M (Color Coded)</p>
<p>Materials: ABS, PCB, PC IP Grades: 55 / 56 / 57 / 65 / 66 / 68 Notes: In the categories Splice Tray, Adapters, Splitters, and Pigtails, the quantity should be added before the model identifier. For example, (2 SC/APC - SC/APC - Simplex adapters), its code will be 201.</p> <p>Other options are available. Ask your Beyondtech sales representative.</p> <p>Custom cabling per request</p>		<p>G</p> <p>Color:</p> <p>B Black W White G Gray</p>



For more information on Beyondtech Premium Warranty, visit beyondtech.us/warranty



DISCLAIMER

This datasheet is from authorship and exclusive property of Beyondtech. His reproduction is banned in the integral or partially without mentioning his authorship, as well as the alteration of his content or context.

IMPORTANT NOTICE

All statements, technical information, and recommendations related to Beyondtech products are based on information believed to be reliable, but the accuracy or completeness is not guaranteed. Before using this product, you must evaluate it and determine if it is suitable for your intended application. You assume all risks and liability associated with such use. Any statements related to the product which are not contained in Beyondtech current publications, or any contrary statements contained on your purchase order shall have no force or effect unless expressly agreed upon, in writing, by an authorized officer of Beyondtech.



Order Code: BTOTB0611W

Type: Optical Terminal Box

Application: Interior of Homes and Businesses, Office Buildings and Campuses, Indoor use recommended.

IN/OUT Ports: 1 /1

Inlet/Outlet Caliber: Drop - 3,0 mm

Max. Splice Capacity: MAX: 07

Dimensions (H*W*D): 86 mm X 91 mm X 23 mm

Operating Temperature: - 40 C + 65 C

WORLDWIDE CORPORATE HEADQUARTERS

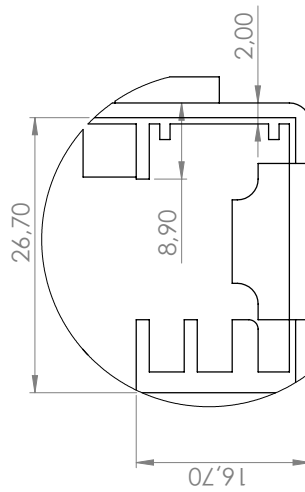
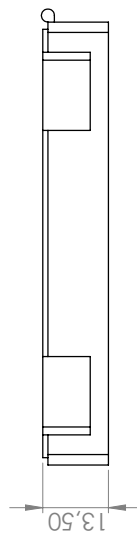
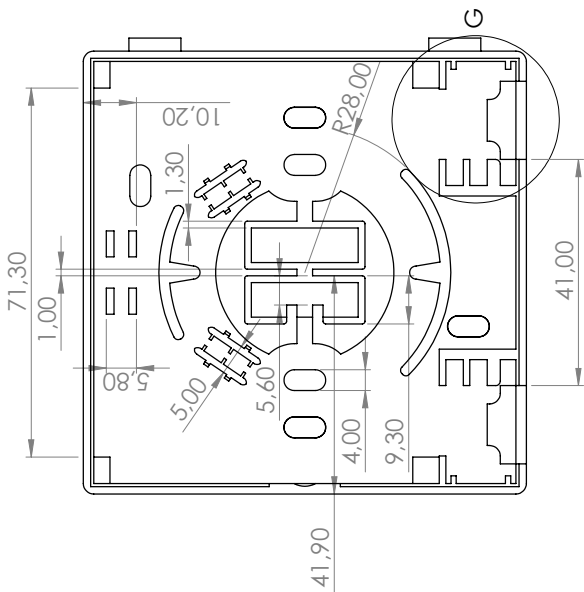
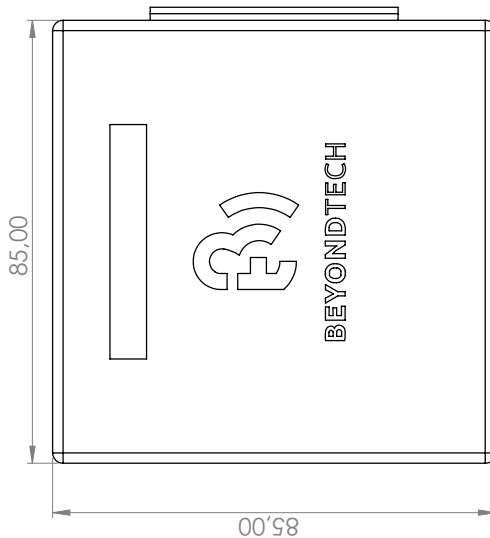
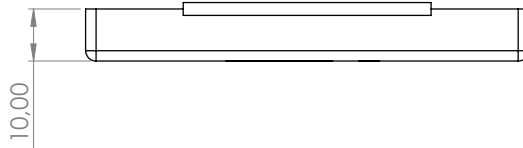
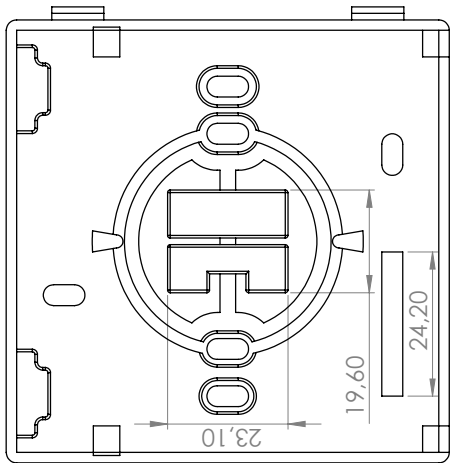
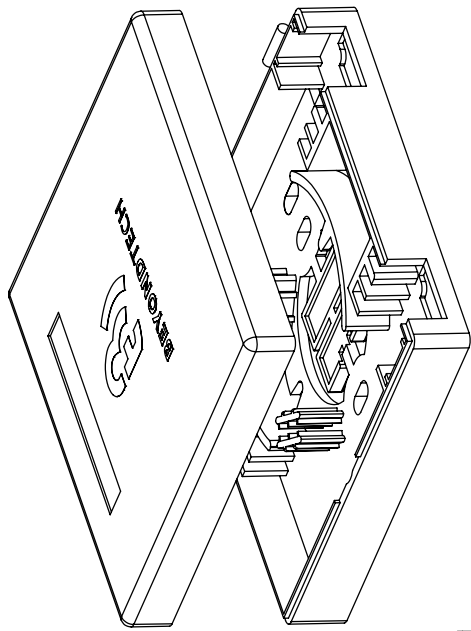
Beyondtech INC
Miami, FL, USA
info@beyondtech.global
+1 (305) 897.3507

Beyondtech EUROPE
Madrid, ES
info@beyondtech.es
+34 (911) 233.074

Rediret UK LTD.
London, UK
info@rediret.com
+44 (020) 3289.1190

Beyondtech LAC
Caracas, VE.
info@beyondtech.lat
+34 638 67 26 03

For more information, visit our website
www.beyondtech.global, contact us
at customer@beyondtech.global or
call **+1 (844) 283.5266** (toll-free).



DETAIL G
SCALE 2:1

UNLESS OTHERWISE STATED: DIMENSIONS ARE IN MM		FINISH:		DEBURR AND BREAK SHARP EDGES		DO NOT SCALE		REVISION	
TOLERANCES: HORIZONTAL: ANGULAR:		NAME		SIGNATURE		DATE		TITLE	
		DRAFTS: RONY SANTIAGO		[Signature]		24/09/2024		BTO TB0611W	
		VERF. LUG SSG						DRAWING NO.: 01	
								SCALE: 1:1	
								SHEET 1 OF 1	
								Weight:	
								BYONDTECH	
								A3	

